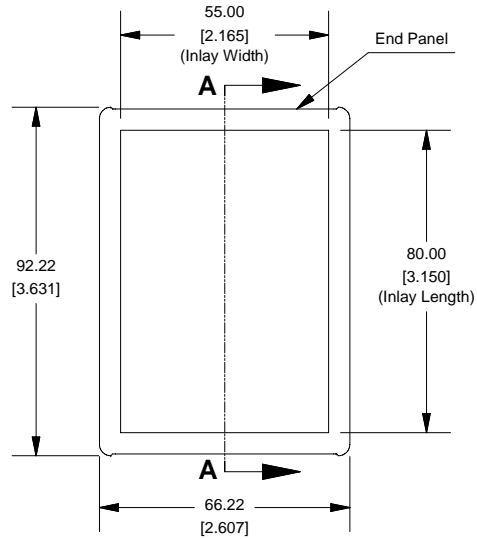
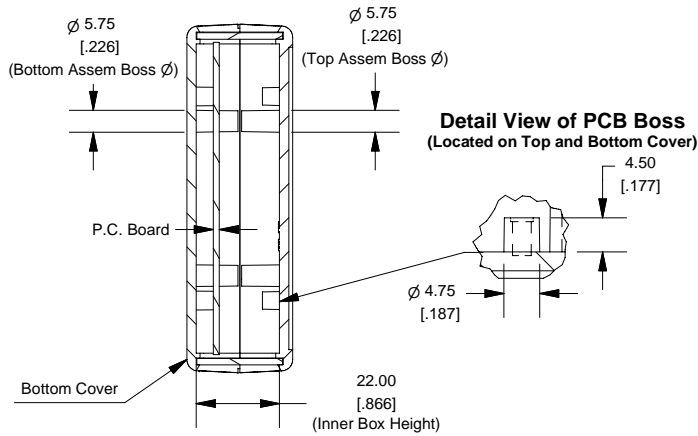


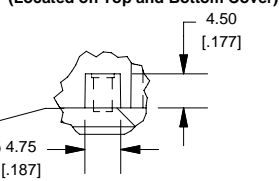
**Top View of Assembly**



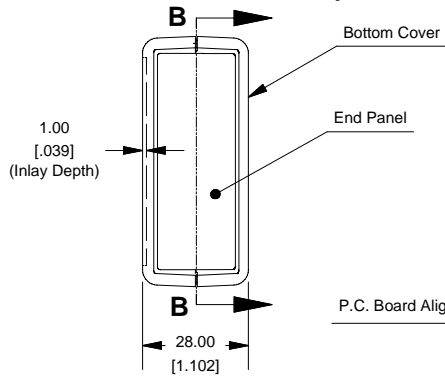
**SECTION A-A  
(Side View Inside Assembly)**



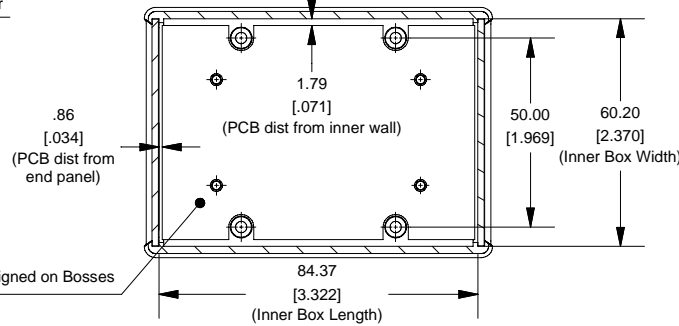
**Detail View of PCB Boss  
(Located on Top and Bottom Cover)**



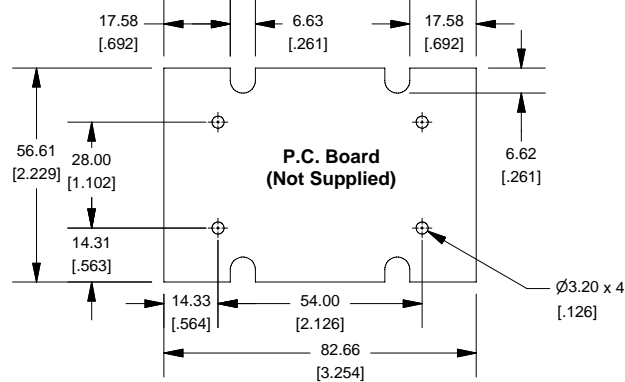
**End View of Assembly**



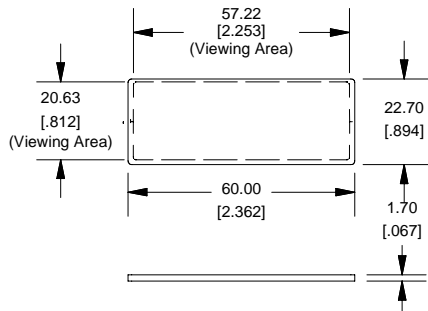
**SECTION B-B  
(Inside of Bottom Cover)**



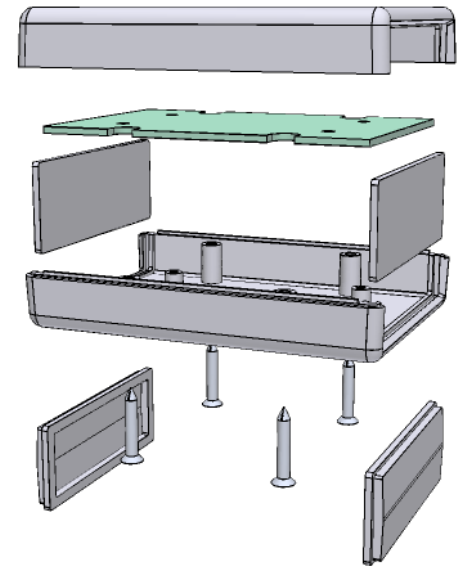
**Maximum P.C. Board Size**



**Front/Rear Panel  
(Dashed Line Indicates Viewing Area)**



**Hand Held Instrument (1593L)**



Enclosures can be Factory Modified ( Milling, Drilling, Printing etc. )  
Solid models of this enclosure available in STEP or IGES.  
Contact Factory [mjm@hammondmfg.com](mailto:mjm@hammondmfg.com)

NOTE	
Enclosure molded from GP ABS (UL94-HB) plastic.	
Purchased assembly includes top and bottom cover, front and rear plastic panels (2 types - flat and contoured) and 4 cover screws.	

PART NUMBERS	
1593L Enclosure	
Black Enclosure	1593LBK
Grey Enclosure	1593LGY
ACCESSORIES	
Cover Screws (Pkg 100)	1593QS100 (Silver)
#4 x 3/4" self-tapping oval head (19.1mm)	1593QS100BK (Black)
P.C. Board Screws	1593ATS50 (Pkg 50)
#4 x 1/4" self-tapping (6.4mm)	1593ATS100 (Pkg 100)
Belt or Pocket Clip	1599CLIP (Black)
	1599CLIPGY (Grey)
Infrared Panels (Pkg 10)	1593DIR10

**HAMMOND  
MANUFACTURING™**  
**1593L**  
[www.hammondmfg.com](http://www.hammondmfg.com)